

**INKTEC**

**INK CHANGE  
GUIDE**



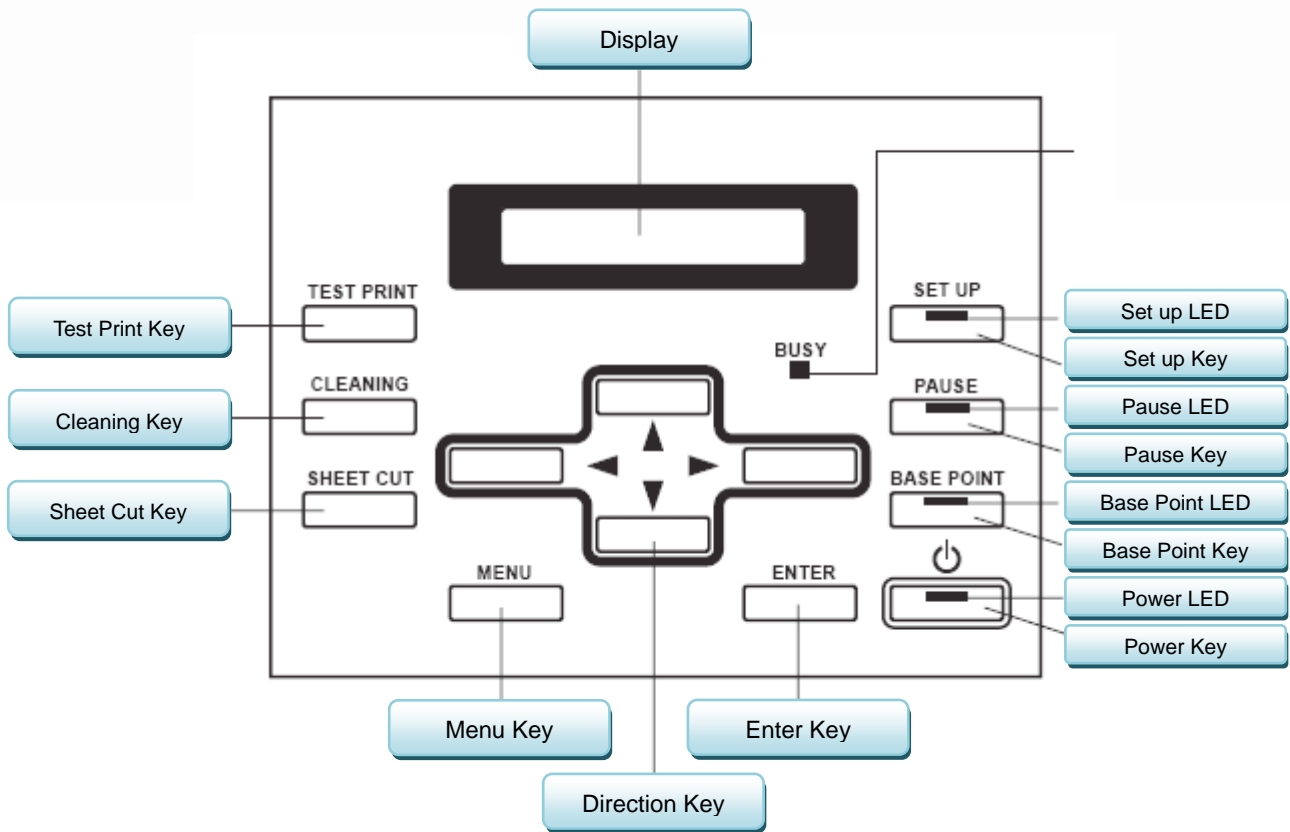
**SJ-745EX**


A decorative graphic consisting of a cluster of small yellow dots arranged in a roughly circular pattern.


# CONTENTS

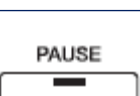
1. Organization and role of panel
2. Basic operations of menu
3. INK CHANGE

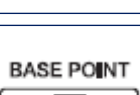
# 1. Organization and role of panel




- 

▶ Sub-power 'on / off' button.
- 

▶ Use this button to Check and display the width of media.  
▶ Use this button to Reset the existing status of media.
- 

▶ Use this button to temporarily Stop the printing in processing
- 

▶ Use this button to Set up the start point of printing.
- 

▶ Use this button to Process or Save the item on display.

## 2. Basic operations of menu

	Top Menu	Sub Menu	Function	Range	Default Setting
1	Sheet Type	*	<ul style="list-style-type: none"> <li>- Use to select transparency or opaque media.</li> <li>- Select 'OPAQUE' , when other media is installed except transparency media on the printer.</li> </ul>	OPAQUE/ CLEAR	OPAQUE
2	Print AREA	Right Edge Left Edge	<ul style="list-style-type: none"> <li>Set right or left direction of installed media</li> <li>For transparency media, as automatic detection of media size can not be done, use this function to assign printing area in media from right to left direction.</li> </ul>	*	*
3	Head Height	*	<ul style="list-style-type: none"> <li>Set the height of Printer Head from media using lever attached to Carriage.</li> </ul>	High/ Middle/ Low	Middle
4	Head Cleaning	A Group B Group C Group/  Normal Medium Powerful	<ul style="list-style-type: none"> <li>- Use to clean the head for preventing clogging.</li> <li>- Choosing Each Group of head is possible for cleaning.</li> <li>- Depending on the printed result of Test Print, choose proper mode among Normal, Medium and Powerful mode for Cleaning.</li> <li>- Powerful mode spend more ink and could cause more galling of Head</li> </ul>	*	*
5	Ink Control	Empty Mode  Pump Up/ Head Wash	<ul style="list-style-type: none"> <li>- [Empty Mode] Pause printing temporarily when ink is used up.</li> <li>- {CONT} - Without holding the job in processing, it is possible to fill up ink.</li> <li>- {STOP} Work stops immediately when ink filling up is needed.</li> <li>- [Pump Up] Eliminate recharged ink through Printer head.</li> <li>- [HEAD Wash] Process Head Cleaning with Cleaning Cartridge.</li> </ul>	Empty Mode CONT/ STOP	Empty Mode  STOP
6	Adjust BI-DIR		<ul style="list-style-type: none"> <li>Adjust printing position in bi-direction mode.</li> </ul>		
7	Calibration	TEST Print Setting	<ul style="list-style-type: none"> <li>Adjust feeding amount of the GRIT ROLLER. Use this function if horizontal line is clearly shown in the printed.</li> <li>- [TEST PRINT] Check &amp; Review the adjustment</li> <li>- [Setting] Setting precise figure.</li> </ul>	(-2.00% to +2.00) In step of 0.05%	0.00%

## 2. Basic operations of menu

	상위 메뉴	보조메뉴	기능	설정범위	기본값
8	Unit	*	<ul style="list-style-type: none"> <li>- After setting the media, choose the unit (mm or inch) displayed on the top menu</li> <li>- In Inch Mode, figure is displayed by tenths</li> </ul>	mm/Inch	mm
9	System Report		- Display the system and current setting information.	*	*
10	Replace Knife	*	Notice the timing of blade replacement.		
11	Factory Default	*	Reset all settings back to initial state(default value).	*	*
12	Ink Remaining	*	Display the level of ink remained after installing ink cartridge.	*	*

# 3. INK CHANGE

1 Power on.



2 Menu -> press ▽ button 4times.



3 In 'Ink Control' menu -> press ▷ Button to select 'Head Wash' -> press 'Enter' button.



4 Check the level of EMPTY DRAIN BOTTLE -> press 'ENTER' to process.  
On status 'REMOVE SOL CRT', discharge the existing cartridge.



### 3. INK CHANGE

- 5 After separating the cartridges, insert OEM Solution or EECS on SET SOLCL-LIQUID menu and then, process the HEAD WASH.



- 6 Press  $\nabla$  button 3 times on 'HEAD WASH' in 'INK CONTROL' -> press 'Enter' button on 'FILL INK MENU' -> Select proper MODE on 'SELECT INK TYPE' menu. As for EMS / ESU, select 'E-SOL MAX LCLM 6 color' or 'E-SOL MAX CMYKM 4 color'



- 7 After checking level of DRAIN BOTTLE, insert cartridges -> When 'Fill INK' mode finish, press 'Test Print' Key to check Nozzle status. If the nozzle is not in normal condition, process Cleaning mode once again .

※ As for 'FP740' and 'Pro III', press 'Menu' button to choose 'Sub Menu' -> In sub menu, choose 'INK CONTROL' mode and then follow above steps.  
After filling Ink, try test print to check the nozzle condition. If the nozzle is not in normal condition, process Cleaning mode once again.